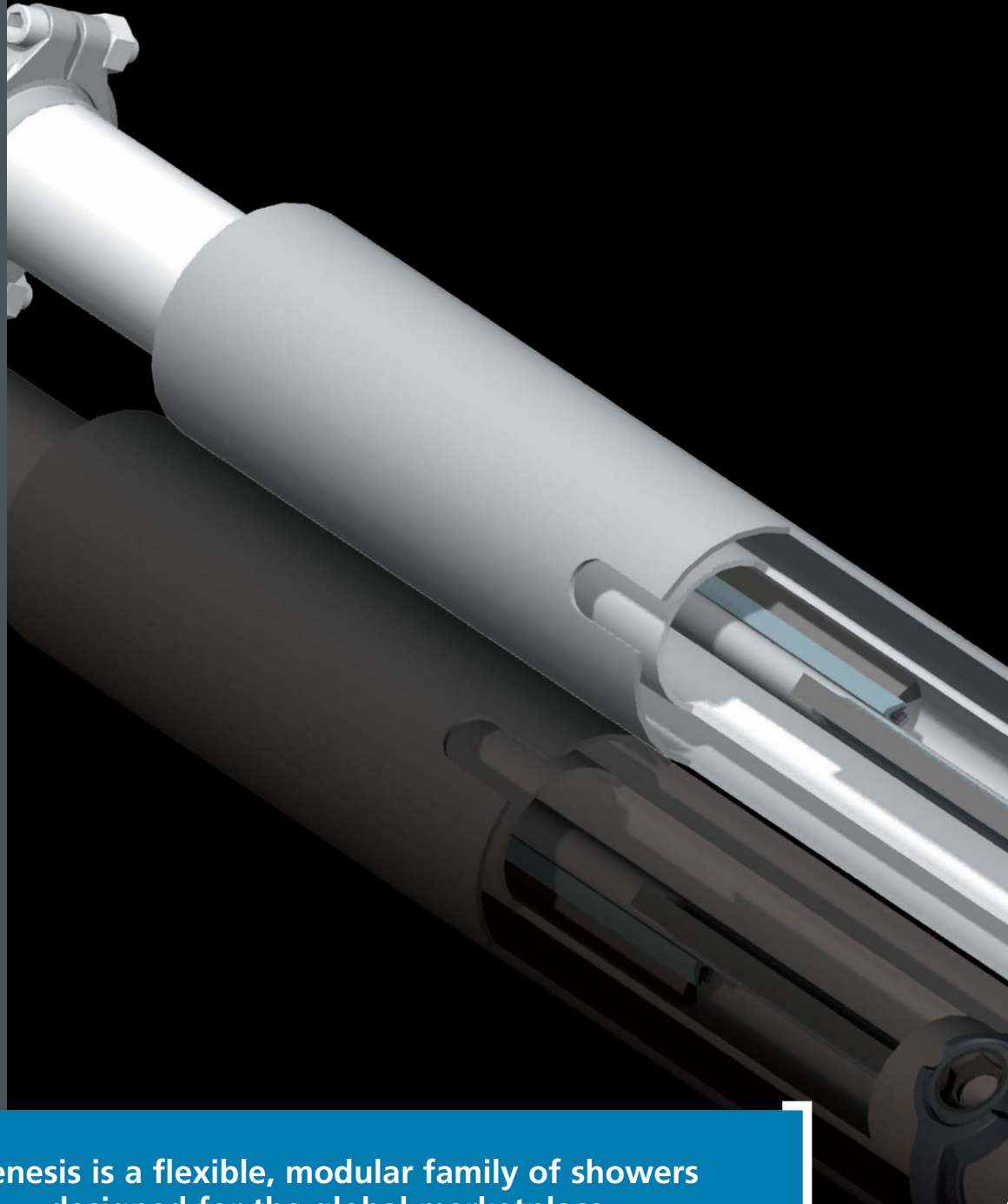
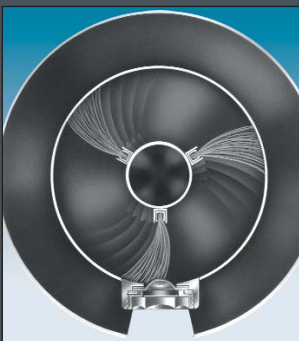


Genesis™ Modular Shower Systems

A new generation of high performance showers

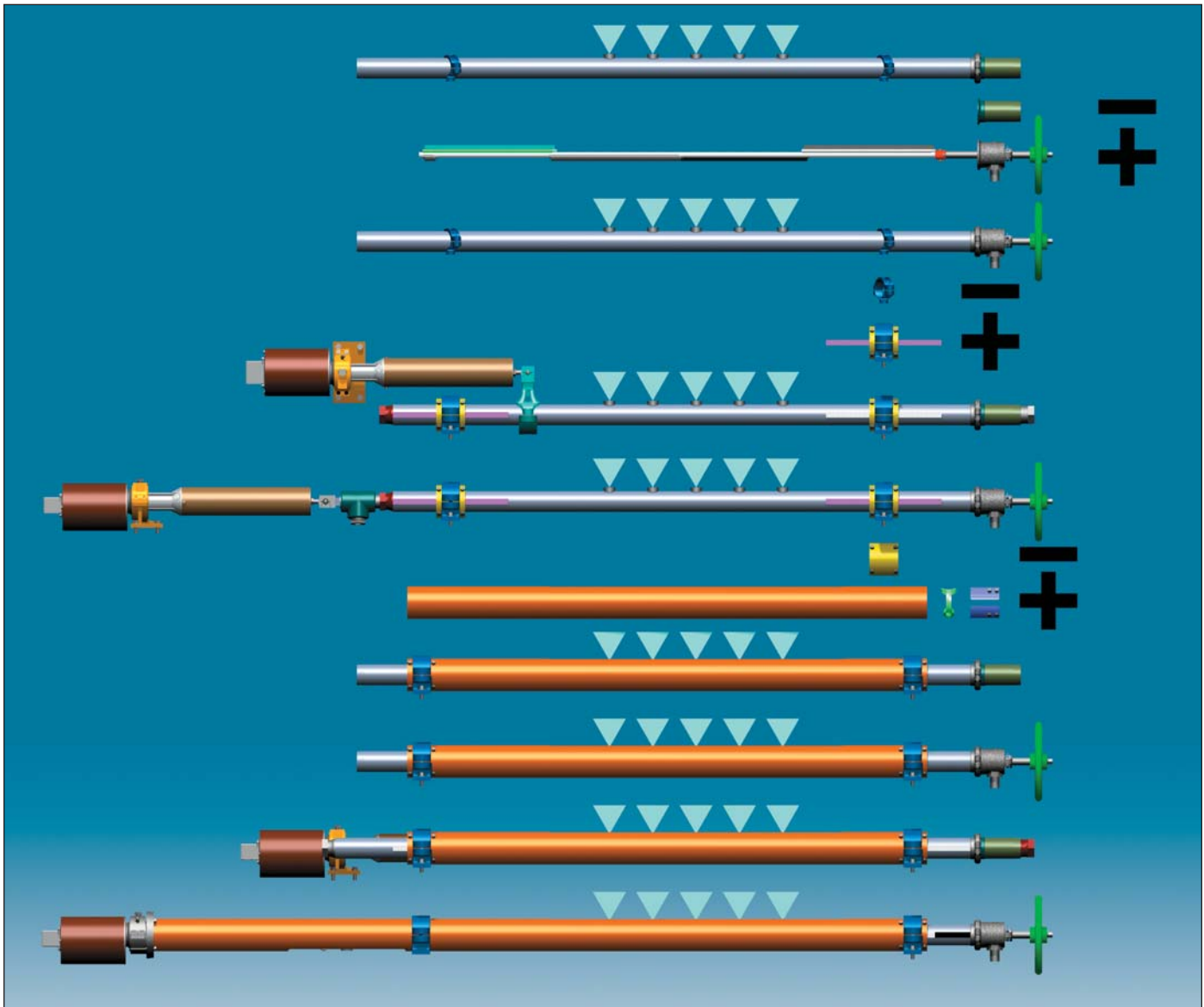
KADANT
AN ACCENT ON INNOVATION

Flexible,
innovative
shower designs.



Genesis is a flexible, modular family of showers
designed for the global marketplace.

Genesis Modular Shower Family



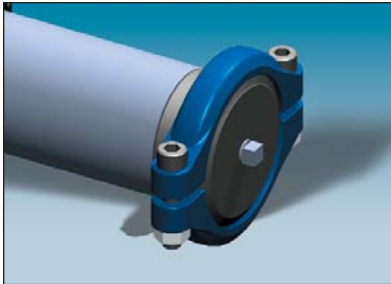
Features

- ▶ Modular shower design
- ▶ Components are interchangeable – imperial and metric
- ▶ Simplified slide bearing housing with alignment keys
- ▶ Stainless steel brushes – full coverage cleaning
- ▶ User-friendly brush end – blow down valve arrangement

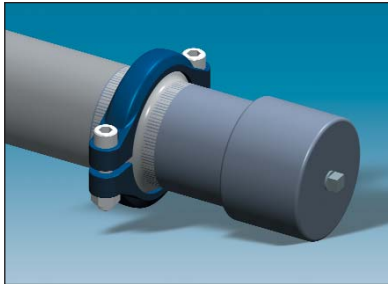
Benefits

- ▶ Universal spare parts – globally available
- ▶ Easy upgrade from stationary to oscillating shower
- ▶ Quick removal of inner pipe
- ▶ Low maintenance costs

Removable End Connections



Blind flange

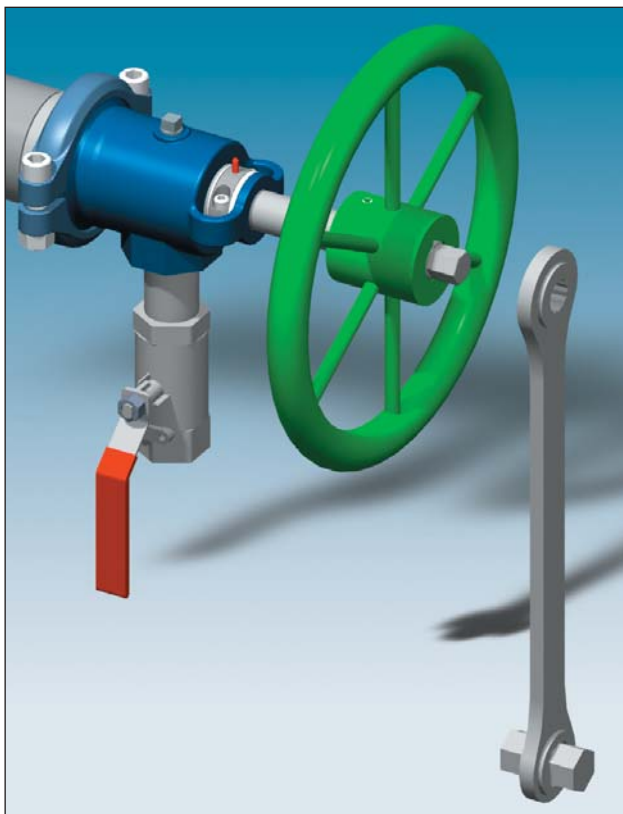


Threaded end connection

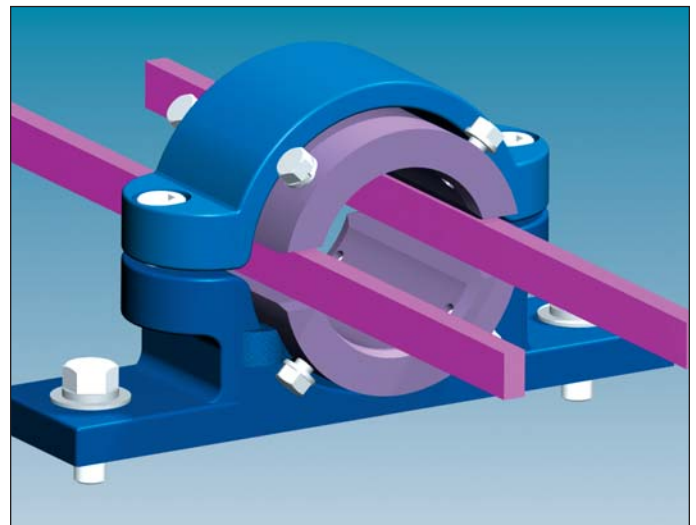


Brush end with blowdown

- ▶ Family of interchangeable components
- ▶ Upgrade to threaded connection or brush end
- ▶ Replace galled threads quickly
- ▶ Blow down valve rotatable into proper orientation for various spray angles



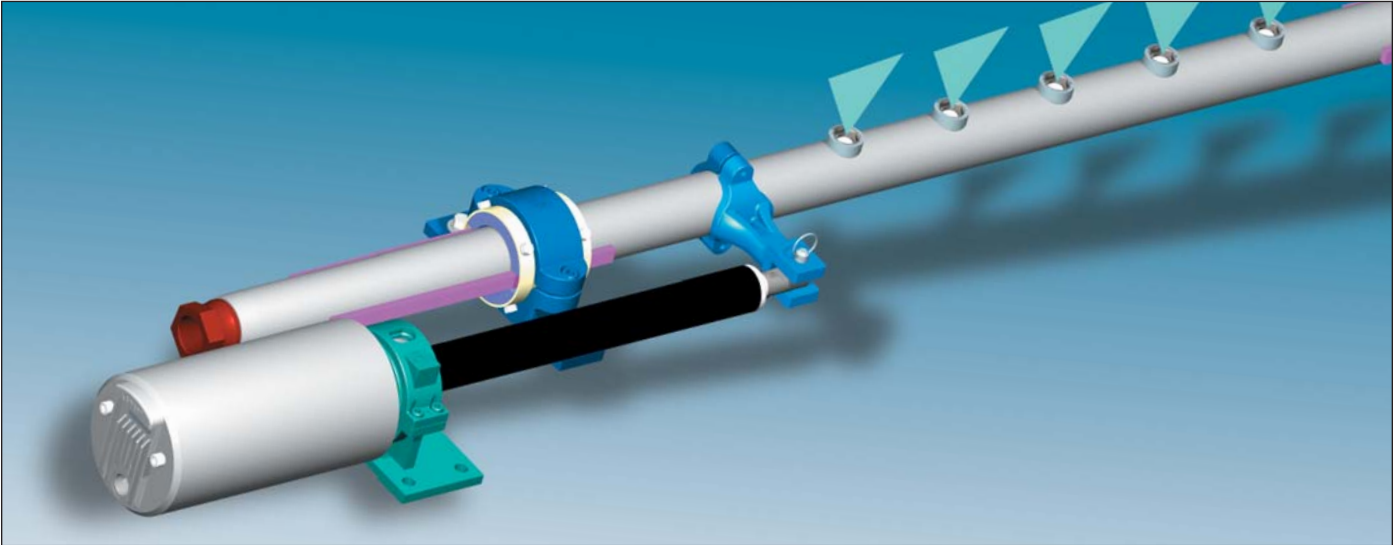
Brush end available with handwheel or ratchet



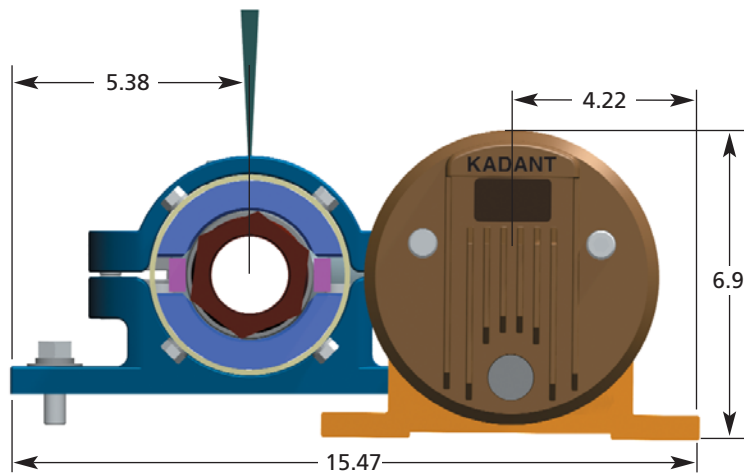
Simplified Bearing Design

- ▶ Keys welded to shower pipe for alignment
- ▶ Simple split polyethylene bushing
- ▶ Easy rotation of shower pipe for nozzle spray angle

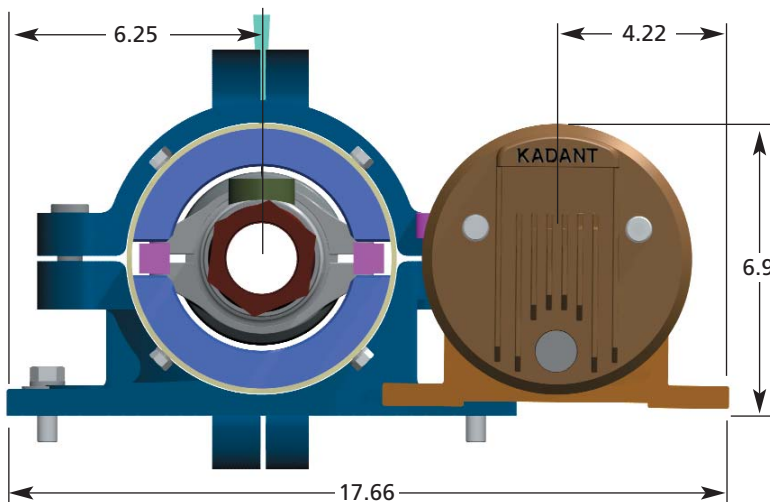
Genesis Modular Shower Systems



Genesis Basic™ Oscillator mounted to Genesis™ shower



Installation dimensions for 2.5" single-tube oscillating shower



Installation dimensions for 6" x 4" double-tube oscillating shower

Available Kadant Oscillator System

- EMO III or EMO III SP
- ArcDrive™
- Genesis Ultra™ or Genesis Basic™

KADANT
AN ACCENT ON INNOVATION

Kadant is a leading global supplier of products and services that improve productivity and quality in paper production and other process industries. For the nearest location and contact, visit our Website.

www.kadant.com

Contact us:

KADANT AES
436 Quaker Road
Queensbury, NY 12804 USA

Tel: +1-518-793-8801
Fax: +1-518-793-9392