

# Genesis™ Single Tube Brush Showers

## White Water Shower

### Applications

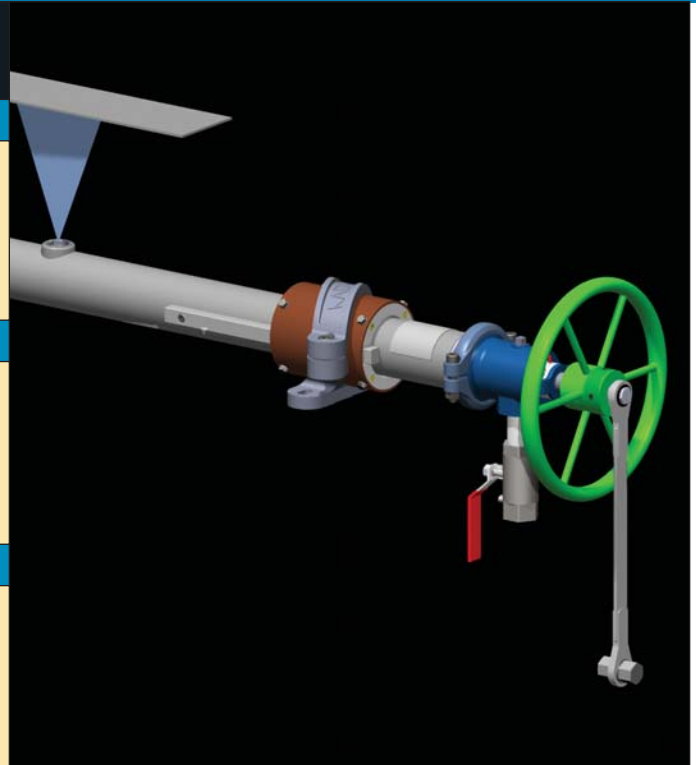
*Kadant Genesis Single Tube Brush Showers are designed and built for applications using filtered fresh or recycled water. Especially effective in paper machine applications subject to high process water contamination, Genesis Brush Showers provide reliability, easy maintenance, and low operating costs.*

### Features

- ▶ 316 stainless steel construction and brushes
- ▶ Aggressive full pipe and nozzle brush cleaning
- ▶ Easily replaceable brush segments
- ▶ Oscillating or stationary shower designs
- ▶ Manual or automatic brush rotation available

### Benefits

- ▶ Reduces energy consumption to heat fresh water
- ▶ Improves paper machine hygiene
- ▶ Permits re-use of valuable process water
- ▶ Easily upgraded to double-tube design
- ▶ Blow down valve is rotatable 360 degrees

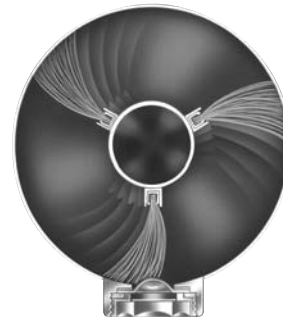


Available in either stationary or oscillating designs, the pipe I.D. and nozzles can remain clog-free due to the simple, effective design of the brush assembly. Full-length internal, stainless steel brush assemblies clean the full internal pipe circumference and the nozzle orifices which protrude inside the pipe. This comprehensive sweep prevents solids build-up, eliminates contamination problems, and directs the loosened debris to the integral flush valve.

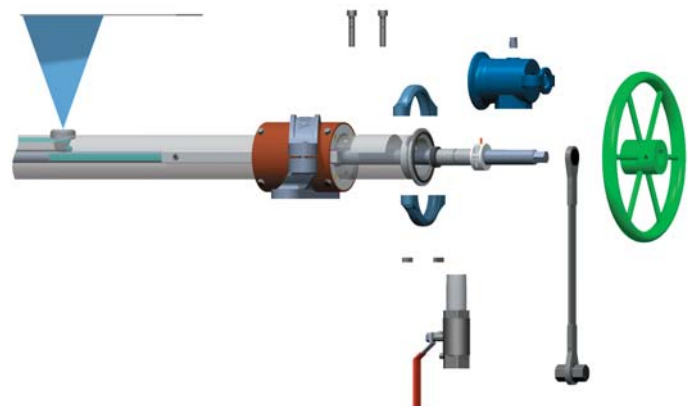
The Genesis Single Tube Brush Shower is easily upgraded to a Double Tube Shower System design by adding a slotted outer pipe, poly bearings, and mounting brackets. This provides even greater flexibility for shower operation and maintenance.

Where water conservation is critical and white water is in use, Kadant Genesis Brush Showers are an essential component for problem free system operation.

### Complete internal shower pipe cleaning



Genesis Ultra Oscillator



# GENESIS OSCILLATING AND STATIONARY SHOWER SYSTEMS

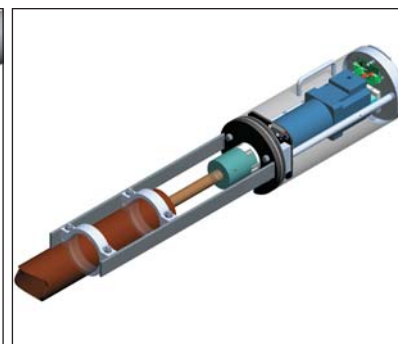
## Effective manual or automatic cleaning

Removing contaminants from the nozzles and the shower pipe is a simple process. The showers are supplied with standard manual cleaning or optional automated cleaning using the Kadant Auto Brush Rotator.

Manual cleaning, with the standard ratchet wrench or optional handwheel, involves opening the flush valve and rotating the brushes 360°. The loosened contaminant flows through the flush valve and is disposed off process without contaminating the paper machine or product. The brushes are returned to "park" position, the flush valve is closed and the shower is ready to continue operating.



Manual handwheel or ratchet wrench rotation.



The optional Auto Brush Rotator performs the entire nozzle and flow pipe cleaning process through a user selected and programmed time cycle.

NOZZLE PRESSURE		PSI	20	40	60	80	100	125	150	200	250	300	400	600	800	1000	
		BAR	1.5	3.0	4.0	6.0	7.0	9.0	10	14	17	21	28	41	55	69	
NOZZLE	ORIFICE in./mm	FAN ANGLE	NOZZLE FLOW: Gallons Per Minute/Litres Per Minute														
2227 GP	7	0.028 0.71	JET	.064	.090	.110	.128	.143	.160	.175	.202	.226	.247	.285	.349	.403	.451
				.242	.341	.416	.484	.541	.604	.662	.765	.855	.935	1.08	1.32	1.53	1.71
	6	.033 .84	.089	.125	.153	.177	.198	.222	.243	.280	.313	.343	.396	.485	.560	.626	
			.337	.473	.579	.669	.749	.840	.920	1.06	1.19	1.30	1.50	1.84	2.12	2.37	
	5	.040 1.02	.130	.184	.225	.260	.291	.326	.356	.412	.460	.504	.582	.713	.823	.920	
			.492	.696	.851	.984	1.10	1.23	1.35	1.56	1.74	1.91	2.20	2.70	3.12	3.48	
	4	.055 1.40	.246	.348	.426	.492	.550	.615	.674	.778	.870	.953	1.10	1.35	1.56	1.74	
.931			1.32	1.61	1.86	2.08	2.33	2.55	2.94	3.29	3.61	4.16	5.11	5.91	6.59		
3	.070 1.78	.399	.564	.690	.797	.891	.999	1.09	1.26	1.41	1.54	1.78	2.18	2.52	2.82		
		1.51	2.13	2.61	3.02	3.37	3.78	4.13	4.77	5.34	5.83	6.74	8.25	9.54	10.67		
2	.094 2.39	.714	1.01	1.24	1.43	1.60	1.79	1.96	2.26	2.53	2.77	3.19	3.91	4.52	5.05		
		2.70	3.83	4.69	5.41	6.06	6.76	7.42	8.55	9.58	10.48	12.07	14.80	17.11	19.11		
1	.125 3.18	1.27	1.80	2.20	2.54	2.84	3.18	3.48	4.02	4.49	4.92	5.69	6.96	8.04	8.99		
		4.81	6.81	8.33	9.61	10.75	12.02	13.17	15.22	16.99	18.62	21.54	26.34	30.43	34.03		
C14506	GP7	.055 1.4	30°	.27	.38	.46	.54	.60	.67	.73	.85	.95	1.04				
				1.02	1.44	1.74	2.04	2.27	2.54	2.76	3.22	3.60	3.94				
	GP8	.094 2.39	.85	1.20	1.47	1.70	1.90	2.12	2.33	2.69	3.00	3.29					
			3.22	4.54	5.56	6.43	7.19	8.02	8.82	10.18	11.36	12.45					
	GP9	.125 3.18	1.43	2.02	2.48	2.86	3.20	3.58	3.92	4.53	5.06	5.54					
5.41			7.65	9.39	10.83	12.11	13.55	14.84	17.15	19.15	20.97						
GP1	.156 3.96	2.31	3.27	4.00	4.62	5.17	5.78	6.33	7.31	8.17	8.95						
		8.74	12.38	15.14	17.49	19.57	21.88	23.96	27.67	30.92	33.88						
GP11	.188 4.78	3.35	4.74	5.81	6.71	7.50	8.39	9.19	10.61	11.86	12.99						
		12.68	17.94	21.99	25.40	28.39	31.76	34.78	40.16	44.89	49.17						
C14506	GP2	.055 1.4	45°	.38	.54	.66	.76	.85	.95	1.04	1.20	1.34	1.47				
				1.44	2.04	2.50	2.88	3.22	3.60	3.94	4.54	5.07	5.56				
	GP3	.070 1.78	.52	.74	.91	1.05	1.17	1.31	1.44	1.66	1.86	2.03					
			1.97	2.80	3.44	3.97	4.43	4.96	5.45	6.28	7.04	7.68					
GP13	.094 2.39	.85	1.20	1.47	1.70	1.90	2.12	2.33	2.69	3.00	3.29						
		3.22	4.54	5.56	6.43	7.19	8.02	8.82	10.18	11.36	12.45						
GP4	.125 3.18	1.62	2.29	2.80	3.24	3.62	4.05	4.43	5.12	5.72	6.27						
		6.13	8.67	10.60	12.26	13.70	15.33	16.77	19.38	21.65	23.73						
C14506	GP14	.055 1.4	60°	.40	.57	.70	.80	.90	1.01	1.10	1.27	1.42	1.56				
				1.51	2.16	2.65	3.03	3.41	3.82	4.16	4.81	5.37	5.90				
	GP15	.094 2.39	.89	1.26	1.55	1.79	2.00	2.24	2.45	2.83	3.16	3.46					
			3.37	4.77	5.87	6.78	7.57	8.48	9.27	10.71	11.96	13.10					
GP17	.125 3.18	1.52	2.15	2.63	3.04	3.40	3.80	4.16	4.81	5.38	5.89						
		5.75	8.14	9.95	11.51	12.87	14.38	15.75	18.21	20.36	22.29						
GP18	.156 3.96	2.24	3.16	3.87	4.47	5.00	5.59	6.12	7.07	7.91	8.66						
		8.48	11.96	14.65	16.92	18.93	21.16	23.16	26.76	29.94	32.78						

**KADANT**  
AN ACCENT ON INNOVATION

Kadant is a leading global supplier of products and services that improve productivity and quality in paper production and other process industries. For the nearest location and contact, visit our Website.

[www.kadant.com](http://www.kadant.com)

Contact us:

KADANT AES DIVISION  
436 Quaker Road  
Queensbury, NY 12804 USA

Tel: +1-518-793-8801  
Fax: +1-518-793-9392