

Shower Oscillation Systems

Applications

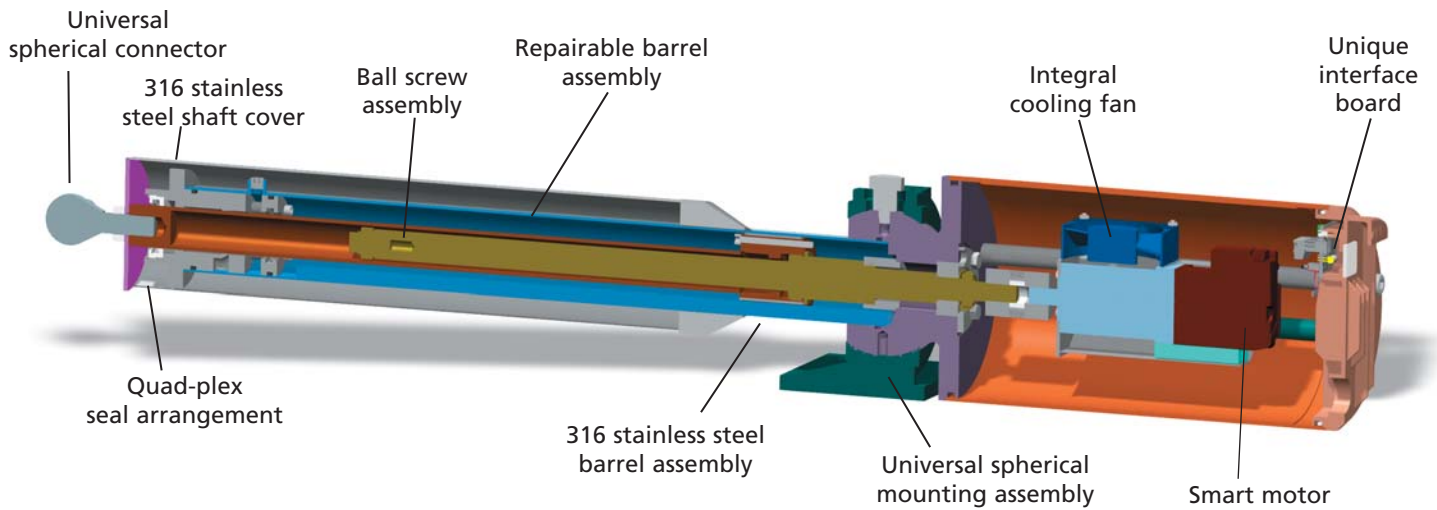
The low frequency (low speed), instantly reversing Genesis Ultra™ electro-mechanical oscillator is designed to provide optimum fluid distribution for cleaning and conditioning machine clothing.

Features

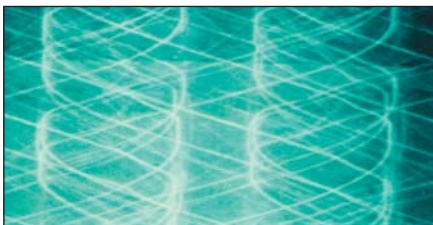
- ▶ Smart motor - no control panel required
- ▶ Intrinsically safe 48 volt power
- ▶ 2,000 lbs (900 Kg) thrust
- ▶ Universal spherical mounting system
- ▶ Adjustable speed and stroke length

Benefits

- ▶ Easy installation and alignment
- ▶ Speed sync with machine
- ▶ Better moisture profile management
- ▶ Enhanced product finish
- ▶ Improved cleaning and conditioning



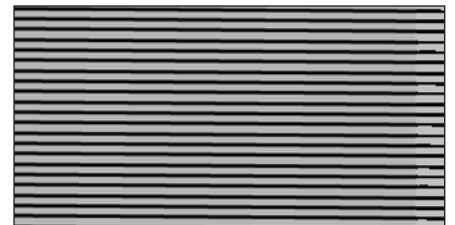
Improved cleaning and conditioning for better moisture profile management and enhanced product finish



→
Crank-arm Oscillation Pattern

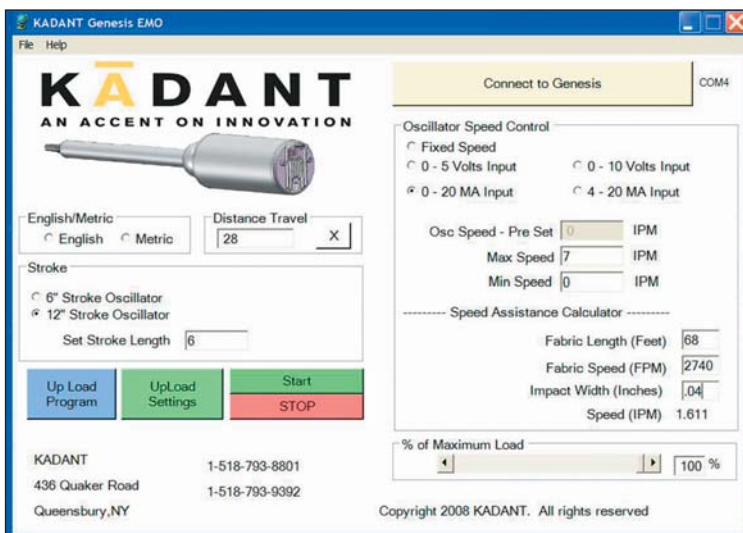


→
Hydraulic Oscillation Pattern



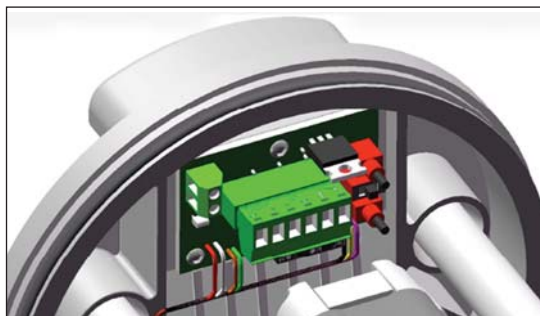
→
Genesis Ultra Oscillation Pattern

GENESIS ULTRA ELECTROMECHANICAL OSCILLATORS



Genesis Oscillator Interface

- ▶ Windows XP® operating system
- ▶ Software and serial communications driver included
- ▶ Interface cable available from Kadant
- ▶ Built in calculator for determining oscillator speed
- ▶ Distance traveled since the last service with manual reset
- ▶ Adjustable load limiter
- ▶ Metric or English units
- ▶ Analog speed input or fixed speed
- ▶ Set the stroke length
- ▶ Multi-language capabilities



Genesis Oscillator Interface Board

- ▶ Set speed and stroke
- ▶ Set maximum speed for 4 – 20 mA analog sync speed
- ▶ Indicator lights (running – stalled – analog sync signal)
- ▶ Manual override included



Genesis Oscillator Installation

KADANT
AN ACCENT ON INNOVATION

Kadant is a leading global supplier of products and services that improve productivity and quality in paper production and other process industries. For the nearest location and contact, visit our Website.

www.kadant.com

Contact us:

KADANT SOLUTIONS DIVISION
35 Sword Street
PO Box 269
Auburn, MA 01501 USA

Toll Free: 800-346-4941
Tel: +1-508-791-8171
Fax: +1-508-757-1507

Genesis Ultra-1000 US 10/2010
© 2010 Kadant Inc.