

880 Hydraulic Shower Oscillator

Proven reliability

The Kadant AES 880 Hydraulic Shower Oscillator is unequalled for its constant, smooth, hammerless action. With more than 20,000 in use, the 880's dependability is proven.

An integral part of the shower support bracket, the 880 oscillator is maintained in exact alignment with the shower. Showers with less than 120° (300 cm) coverage are equipped with single drive oscillators. Longer showers are powered by twin drive oscillators for a balanced thrust.

The 880's dependable oscillation provides the most conservative distribution of shower water and assures complete, uniform coverage. With a stroke of 12" (30 cm), fewer nozzles are required, significantly reducing water consumption.

Power choices

Kadant AES 880 oscillators are usually powered by a low pressure 60-100 PSI (.4-.6 MPa) fresh water supply, but can be pneumatically operated at similar air pressures. If the available water supply is contaminated, or air supply is insufficient, self-contained recirculatory systems are available to power these oscillators.

Built-in safety

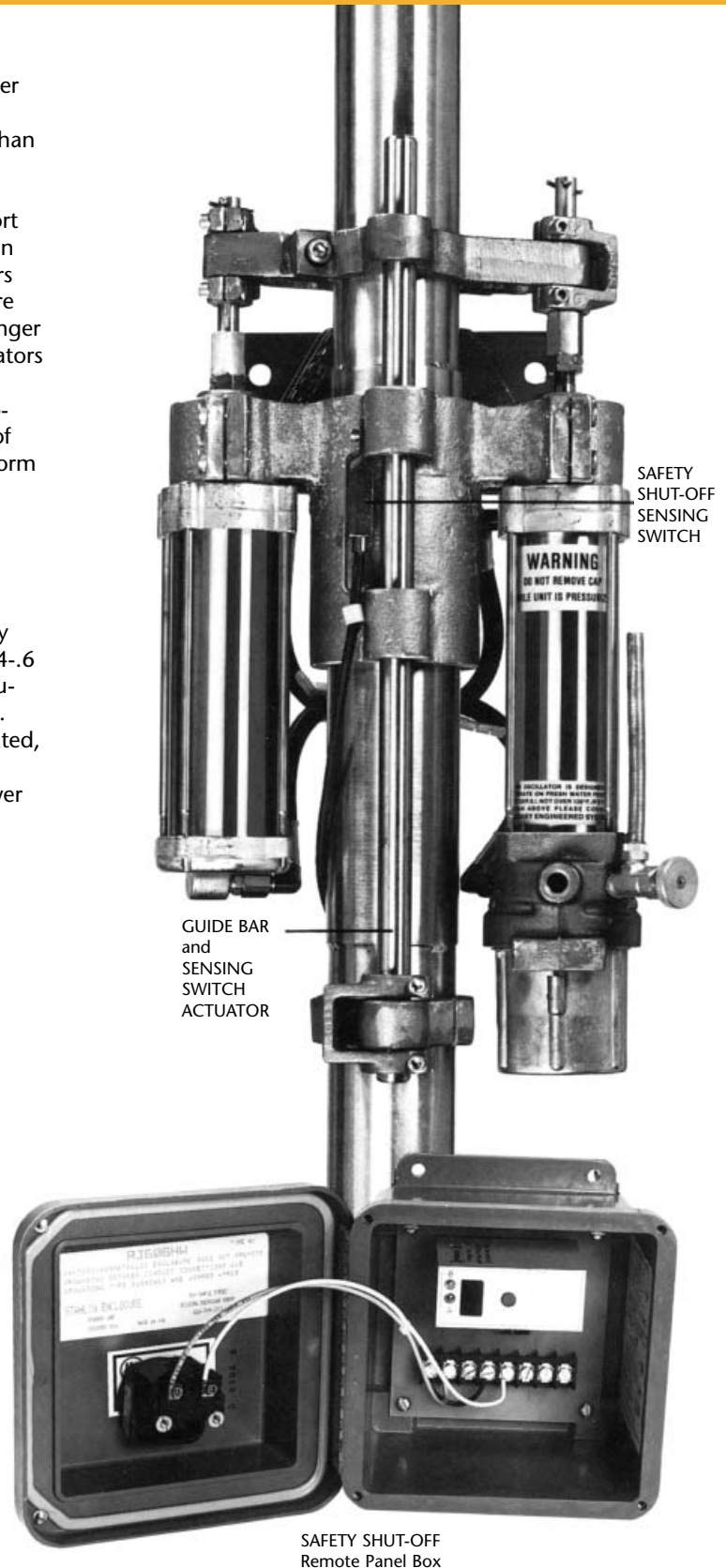
The safety shut-off relay is a shower motion failure alarm and pump control system. It features an electronic time delay circuit to turn off the high pressure pump and trigger an alarm if the shower oscillation is too slow, if the shower stops in any position, if the power to the safety switch is cut off, or if the magnetic pick-up fails.

The sensing switch mounted on the stationary shower bearing is a magnetic device and requires no contact with the moving shower. There are no moving parts and a build-up of paper stock cannot jam the system.

Modular plug-in components facilitate maintenance and service. The time delay is variable by means of a screwdriver adjustment. Voltage at the sensing switch is 6 volts DC.

KADANT
AES

AN ACCENT ON INNOVATION



880 Hydraulic Shower Oscillator

Constructed to last

Kadant AES 880 oscillators are designed to give papermakers many years of dependable service. Castings are of bronze. All other parts are precisely manufactured from 316 stainless steel, monel, bronze, synthetic rubber and special alloys. The complete assembly is resistant to attack from most chemicals.

Simple maintenance

The 880 oscillator contains its own basket type strainer. An O-ring seal prevents by-passing of any foreign material. Cleaned periodically, the strainer ensures proper functioning of the oscillator. A 1/4-turn cap makes strainer removal simple—tools are not required.

To replace worn sleeves or to repack the drive shaft, the oscillator may be quickly and easily removed.

Complete parts kits are available to facilitate on-the-job repairs at a minimum of expense and down-time.

Smooth operation

Kadant AES 880 oscillators will maintain smooth operation during extended periods of unattended service.

Standard stroke lengths are 6" (15 cm) and 12" (30 cm). Intermediate stroke lengths are also available. The oscillator will stroke at approximately 48" (122 cm) per minute at 80 PSI (.5 MPa). Speed is adjustable by an outlet throttle valve.

Note: Kadant AES recommends that 880 oscillators be operated by water pressure within the range of 60 to 100 PSI (.4 to .6 MPa) using fresh water.

MODEL	CYLINDER O.D.	WATER FLOW
Oscillators can also be supplied for air operation		
Speed 30" (76 cm) / Min. at 80 PSI (.5 MPa)		

880	2 1/2" (6.4 cm)	0.7 GPM (2.65 LPM)
TD 880	2 1/2" (6.4 cm)	1.4 GPM (5.3 LPM)
880-4	4" (6.4 cm)	1.4 GPM (5.3 LPM)
TD 880-4	4" (6.4 cm)	2.8 GPM (10.6 LPM)



KĀDANT AES CANADA

Pointe Claire, Quebec, Canada
Tel: 514-695-7110 - Fax: 514-695-4836

KĀDANT UK Ltd.

Bury, Lancashire, England
Tel: 161 7649111 - Fax: 161 7971496

Licensee: **C.B.T.I.**

Valinhos S.P. Brazil
Tel: 1938 710100 - Fax: 1938 710093

KĀDANT AES MEXICO

Guadalajara, Jalisco, Mexico
Tel: 33 38 12 43 55 - Fax: 33 38 12 43 03

KĀDANT LAMORT

Vitry-le-Francois, France
Tel: 32 67 48 080 - Fax: 32 67 20 833

Licensee: **Kobayashi Engineering Works**

Fuji-Shi, Shizuoka-ken, Japan
Tel: 545 61 2405 - Fax: 545 63 4570

KĀDANT

A E S

AN ACCENT ON INNOVATION

KĀDANT AES

Queensbury, New York 12804 USA
Tel: 518-793-8801 - Fax: 518-793-9392